



GG53

PT. GREAT MICROTAMA ELECTRONICS INDONESIA

4Pad version : 5.0 x 3.2 mm

Features :

- Surface Mount Crystal
- 1.3mm Thickness, Glass Sealed
- Excellent Solderability



Pb

Pb free: Pins / pads



General Specifications

Frequency Range	8.0 ~ 50.0 MHz (Fund. AT-Cut)			
Frequency Tolerance @ 25 degC	±30 ppm			
Frequency Stability	±30 ppm ~ ±100 ppm			
Operating Temperature Range	Temp Range	±30ppm	±50ppm	±100ppm
	-20 °C to +70 °C	■	o	o
	-40 °C to +85 °C		■	o
	* Remarks : ■ Standart o Available			
Equivalent Series Resistance	Please refer to table 1 below			
Load Capacitance	12 pF (standard)			
Drive Level	100µW			

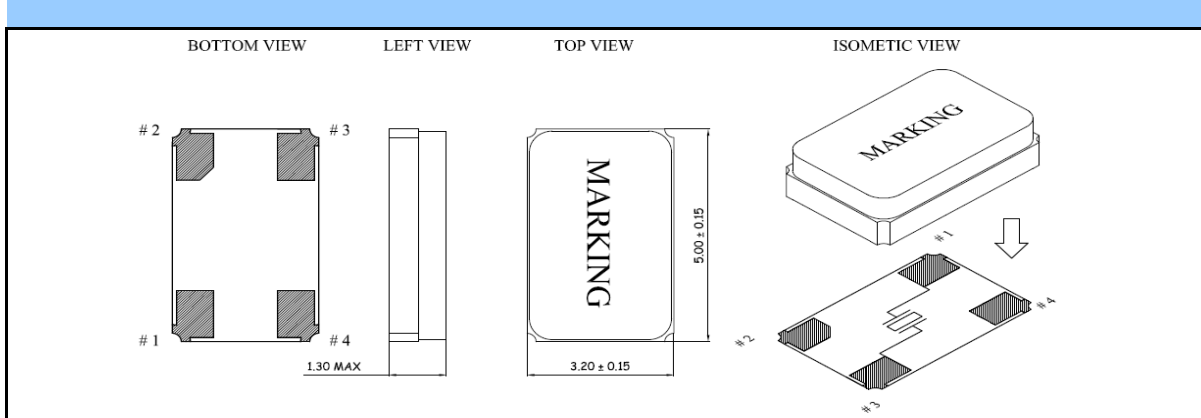
* Remarks : Please contact us for any further enquiry

Frequency Range, Equivalent Series Resistance and Mode of Oscillation (Table 1)

Frequency Range (MHz)	Equivalent Series Resistance Maximum (Ohm)
Fundamental	
8.00 ~ 8.99	300
9.00 ~ 9.99	250
10.00 ~ 11.99	60
12.00 ~ 15.99	60
16.00 ~ 21.99	50
22.00 ~ 24.99	40
25.00 ~ 50.00	30
Third Overtone	
45.00 ~ 60.00	90

Specifications are subjected to change without notice.

Dimensions



PT Great Microtama Electronics Ind. Berbek Industri III/21 Surabaya. Indonesia
 Fax: 62-31-8431305 Tel: 62-31-8431330 E-mail: greatind@greatmicro.com