



# SMU2

PT. GREAT MICROTAMA ELECTRONICS INDONESIA

**2 Pad version : 11.0 x 4.8 mm or**

**11.4 x 4.8 mm Features :**

- Recommended for automotive applications
- Reflow soldering temperature : 260°C max
- Package high 3.0 mm max



Pb free : Pins / pads



### General Specifications

Frequency Range	8.0 ~ 40.0 MHz (Fund. AT-Cut)				
Frequency Tolerance @ 25 degC	±10 ppm ~ ±30 ppm				
Frequency Stability	±10 ppm ~ ±50 ppm				
Operating Temperature Range	Temp Range	±10ppm	±20ppm	±30ppm	±50ppm
	-20 °C to +70 °C	o	o	■	o
	-40 °C to +85 °C		o	o	■
	* Remarks : ■ Standart o Available				
Equivalent Series Resistance	Please refer to table 1 below				
Load Capacitance	12 pF (standard)				
Drive Level	100µW				

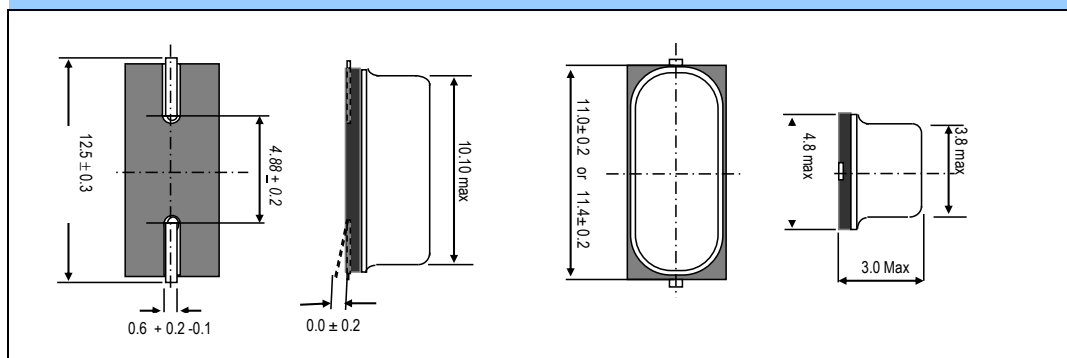
\* Remarks : Please contact us for any further enquiry

### Frequency Range, Equivalent Series Resistance and Mode of Oscillation (Table 1)

Frequency Range (MHz)	Equivalent Series Resistance Maximum (Ohm)
<b>Fundamental AT Cut</b>	
8.00 ~ 9.999	70
10.00 ~ 13.999	50
14.00 ~ 40.000	40
<b>Fundamental BT Cut</b>	
30.00 ~ 50.000	50
<b>Third Overtone</b>	
24.000 ~ 150.000	on request

Specifications are subjected to change without notice.

### Dimensions



PT Great Microtama Electronics Ind. Berbek Industri III/21 Surabaya, Indonesia  
 Fax: 62-31-8431305 Tel: 62-31-8431330 E-mail: greatind@greatmicro.com